



IATA Live Animal Regulations (LAR) 49th Edition

Effective 1 January 2023 – 31 December 2023

Addendum I Posted 17 April 2023

Users of the IATA LAR are asked to note the following changes to the 2023 edition:

To help identify any additions, changes or cancellations of text, content has been highlighted in blue and/or red, where appropriate:

- [Blue underline for added/changed](#)

- ~~Red strikethrough for cancelled text~~

The **Addendum I** to the LAR consists of the following amendments:

Chapter 2 – State Variations

- Changes to state variation **USG21**

USG21 The United States Fish and Wildlife Service (USFWS) implemented new rules on 15 September 1992 concerning the humane and healthful transport of wild mammals and birds to the United States. The information below is a summary only. The regulations can be found in Part 14 of Chapter I of title 50 of the United States Code of Federal Regulations. They were published in Volume 57, No. 117 of the United States Federal Register on 17 June 1992. A reprint is available on request from the following address:

~~[U.S. Fish and Wildlife Service](#)
[Office of Management Authority](#)
[4401 N. Fairfax Drive](#)
[Room 700](#)
[Arlington](#)
[Virginia](#)
[22203](#)
[U.S.A.](#)
[Tel: +1 \(703\) 358 2095](#)
[Fax: +1 \(703\) 358 2281](#)~~

[U.S. Fish and Wildlife Service](#)
[Division of Management Authority](#)
[5275 Leesburg Pike](#)
[MA:IA](#)
[Falls Church, VA 22041](#)
[U.S.A](#)
[Tel: +1 \(703\) 358 2095](#)

Fax: +1 (703) 359 2281

www.managementauthority@fws.gov

Complete regulations can be found at:

<https://www.ecfr.gov/current/title-50/chapter-I/subchapter-B/part-14?toc=1>

All persons involved with the importation of wild mammals and birds into the United States, including but not limited to carriers, shippers, importers and exporters, are responsible for compliance with this rule and for the humane and healthful transport of all wild mammals and birds to the United States.

Follow this link to view information for importers and exporters of commercial wildlife shipments (including electronic declarations and permits) <http://www.fws.gov/permits/ImportExport/ImportExport.html>
<https://www.fws.gov/program/office-of-law-enforcement/information-importers-exporters>.

Shippers will also find useful information on the following Permits page

<https://fwsepermits.servicenowservices.com/fws/>

- Changes to state variation **USG42**

USG42 [The U.S. Fish and Wildlife Service authorizes the importation, transportation, and possession of all wildlife species entering and leaving the United States and all such transactions must comply with our laws and regulations. The United States considers several species to be injurious or potentially injurious to the health and welfare of human beings, to the interest of forestry, agriculture, and horticulture and to the welfare and survival of the wildlife or wildlife resources of the United States. For any wildlife species listed as injurious, permits issued by the US Fish and Wildlife Service authorizing the importation, transportation, and possession must accompany any such shipment.](#)

[The list of injurious species can be found at 50 CFR 16 Subpart B. Injurious species included in that list must be transported in a double escape-proof enclosure, that is, packed in a primary container that is then packed inside a secondary container, in order to maximize prevention of escape by the animal\(s\) \(See FWS Form 3-200-42 Application-Import/Transport of Injurious Wildlife\).](#)

<https://www.fws.gov/service/3-200-42-import-acquisitiontransport-injurious-wildlife-under-lacey-act>

- Changes to state variation **USG51**

USG51 ~~After June 10, 2022~~ [After March 1, 2023](#), options for bringing dogs that have been in a high-risk country for rabies in the past 6 months will depend on where the dogs' current rabies vaccine was administered. **CDC's rules apply to all dogs, including service dogs and emotional support dogs.**

...

For dogs with a CDC Dog Import Permit, dogs must:

1. Be at least 6 months old.
2. Have a valid ~~rabies vaccination certificate issued by a veterinarian in the United States~~ [CDC Rabies Vaccination and Microchip Record](#). A dog's first rabies vaccine must be given on or after 12 weeks of age and at least 28 days before arrival in the United States. Rabies booster vaccines administered after 15 months of age are valid immediately.
3. Have documentation of a microchip number on the ~~rabies vaccination certificate~~ [CDC Rabies Vaccination and Microchip Record](#).
4. Present a **valid CDC Dog Import Permit** to the carrier before transport to the United States.
5. Arrive at one of the 18 airports with a CDC quarantine station: Anchorage (ANC), Atlanta (ATL), Boston (BOS), Chicago (ORD), Dallas (DFW), Detroit (DTW), Honolulu (HNL), Houston (IAH), Los Angeles (LAX), Miami (MIA), Minneapolis (MSP), New York (JFK), Newark (EWR), Philadelphia (PHL), San Francisco (SFO), San Juan (SJU), Seattle (SEA), and Washington DC (IAD).

For dogs without a US-issued rabies vaccination certificate or a CDC Dog Import Permit, dogs must:

1. Be at least 6 months old.
2. Have a valid ~~rabies vaccination certificate~~ [CDC Rabies Vaccination and Microchip Record](#). A dog's first rabies vaccine must be given on or after 12 weeks of age and at least 28 days before arrival in the United States. Rabies booster vaccines administered after 15 months of age are valid immediately.
3. Have documentation of a microchip number on the ~~rabies vaccination certificate~~ [CDC Rabies Vaccination and Microchip Record](#).
4. Arrive at one of the ~~485~~ airports with a CDC quarantine station: Atlanta (ATL), Los Angeles (LAX), Miami (MIA), New York (JFK) [and Washington, DC \(IAD\)](#).
5. **Provide documentation to the airline of their dog's reservation at one of the CDC-approved animal care facilities before departure prior to boarding.** Dogs from high-risk countries without a US-issued rabies vaccination certificate or CDC Dog Import Permit must enter through a port of entry with a CDC-approved animal care facility and must have a reservation in advance.

Chapter 3 – Operator Variations

- New operator variation **IB08** submitted for Iberia

The following will not be accepted for carriage:

- [Puppies under 10 weeks old;](#)
- [All Mammals declared to be pregnant unless accompanied by a veterinary health certificate certifying that the animal is fit to travel and less than two thirds into the gestation period, and there is no risk of birth occurring during the journey. The shipper is required to declare when animals are pregnant, or have given birth in the last 48 hours.](#)

- New operator variation **I208** submitted for Iberia Express

The following will not be accepted for carriage:

- [Puppies under 10 weeks old;](#)
- [All Mammals declared to be pregnant unless accompanied by a veterinary health certificate certifying that the animal is fit to travel and less than two thirds into the gestation period, and there is no risk of birth occurring during the journey. The shipper is required to declare when animals are pregnant, or have given birth in the last 48 hours.](#)

- New operator variations **BT01-08** submitted for airBaltic

[BT01](#) When a pet container is used it must be rigid and the door must be further secured by application of additional removable fasteners such as cable ties in the four corners of the door frame.

[BT02](#) Moveable or rotating door locks are not acceptable. For more info check <https://www.airbaltic.com/en/cargo/shipping-animals-cargo>

[BT03](#) Snub nosed dogs and cats can only be accepted for carriage on BT flights under below mentioned conditions:

- [The cage must be one size larger than the size stated on cage instructions](#)
- [The cage must have ventilation areas on four \(4\) sides of it](#)

[BT04](#) airBaltic has permanent embargo to accept and transport Primates destined for the research industry

[BT05](#) Any laboratory animals will not be accepted

[BT06](#) It is prohibited to ship animal trophies on airBaltic flight

[BT07](#) Day-old chicks are prohibited

[BT08](#) Only cats and dogs will be accepted as passenger baggage (both- hand luggage or checked baggage, depending on the animal's weight and size). Other animal species must be transported as manifested cargo only.

- Changes to variations **TP02-03** and new operator variation **TP04** submitted for TAP Air Portugal

TP02 TAP Air Portugal does not accept the transport in the hold of the brachycephalic, snub-nosed or mixed breeds of snub-nosed animals when the breed on the Health Certificate state the following – effective 17 September 2018:

Dogs:

- [1. Affenpinscher](#)
- [2. American Bully](#)
- [3. American Staffordshire/"Amstaff"](#)
- [4. Boston Terrier](#)
- [5. Boxer](#)
- [6. Brussels Griffon](#)
- [7. Bulldog \(all types\)](#)
- [8. Cavalier King Charles](#)
- [9. Chow Chow](#)
- [10. Shih-Tzu](#)
- [11. English Toy Spaniel/Prince Charles Spaniel](#)
- [12. Japanese Chin/Japanese Spaniel](#)
- [13. Lhasa Apso](#)
- [14. Mastiffs \(all types\)](#)
- [15. Pekingese](#)
- [16. Shar-Pei/Chinese Shar-Pei](#)
- [17. Pug \(all types\)](#)
- [18. Staffordshire Bull Terrier/"Staffys"](#)
- [19. Tibetan Spaniel](#)
- [20. Chihuahua](#)

Cats:

- [1. Burmese](#)
- [2. Exotic Shorthair](#)
- [3. Himalayan](#)
- [4. Persian](#)
- [5. Scottish Fold.](#)

TP03 The minimum age to transport company animals is 10 weeks old.

Dogs:

- [1. Affenpinscher](#)
- [2. American Bully](#)
- [3. American Staffordshire/"Amstaff"](#)
- [4. Boston Terrier](#)
- [5. Boxer](#)
- [6. Brussels Griffon](#)
- [7. Bulldog \(all types\)](#)
- [8. Cavalier King Charles](#)
- [9. Chow Chow](#)
- [10. Shih-Tzu](#)
- [11. English Toy Spaniel/Prince Charles Spaniel](#)

- ~~12. Japanese Chin/Japanese Spaniel~~
- ~~13. Lhasa Apso~~
- ~~14. Mastiffs (all types)~~
- ~~15. Pekingese~~
- ~~16. Shar-Pei/Chinese Shar-Pei~~
- ~~17. Pug (all types)~~
- ~~18. Staffordshire Bull Terrier/"Staffys"~~
- ~~19. Tibetan Spaniel~~
- ~~20. Chihuahua~~

[TP04 Tap Air Portugal will accept the following breed of dogs \(and mixes thereof\) aged 6 months and older only in reinforced kennels conforming to IATA Container Requirement 82:](#)

1. [American Staffordshire Terrier;](#)
2. [Brazilian Mastiff;](#)
3. [Dogo Argentino;](#)
4. [Pit Bull Terrier;](#)
5. [Rottweiler;](#)
6. [Staffordshire Bull Terrier;](#)
7. [Tosa Inu.](#)

Chapter 6 – Listing, Description and Sizes of Species

- o Container Requirement 31(CR31) has been deleted and its guidance incorporated into Container Requirement 32 (CR32), as described in the Preface. While some references to CR31 remain, they are effectively considered as CR32, except for Koalas, Opossum species and Possums, which should be listed as CR78.
- o A correction has been made to remove the CITES protected species marking from Columba Livia (Common Pigeon).

Common Name	Type	Container Requirement	Scientific Name	CITES Appendix
Common Pigeon	B	15	Columba livia	III

- o Amendments have been adopted to Appendices I, II and III of CITES as per the [Notification 2023/005 to the Parties of 12 January 2023](#). The following Notification to the Parties N° 2023/015 was posted on the CITES website on 10 February 2023, effective as of 23 February 2023 contains the three appendices: [Results of the 19th meeting of the Conference of the Parties \(CoP19\)](#).

Common Name	Type	Container Requirement	Scientific Name	CITES Appendix
Aleutian canada goose	B	18	Branta canadensis hutchinsii leucopareia	I II
Alligator snapping turtle	R	43	Macrolemys temminckii	II
Broad-nosed caiman	R	42	Caiman latirostris	I II

Common Name	Type	Container Requirement	Scientific Name	CITES Appendix
Chinese water dragon	R	41	<i>Physignathus cocincinus</i>	II
Freshwater stingrays	F	52	<i>Potamotrygon henlei</i>	II
Giant musk turtle	R	43	<i>Staurotypus salvinii</i>	II
Glass frogs	A	45	Centrolenidae spp.	II
Guitarfishes	F	52	Rhinobatidae spp.	II
Helmethead gecko	R	41	<i>Tarentola chazaliae</i>	II
Horned Lizards	R	41	<i>Ceratophora</i> spp. <i>Phrynosoma</i> spp.	II/III
Indochinese box turtle	R	43	<i>Cuora galbinifrons</i>	I
Jeypore Indian gecko	R	41	<i>Cyrtodactylus jeyporensis</i>	II
Lao warty newt	A	45	<i>Laotriton laoensis</i>	II
Leith's softshell turtle	R	43	<i>Nilssonina leithii</i>	I
Lemur leaf frog	A	45	<i>Agalychnis lemur</i>	II
Map turtles	R	43/47	<i>Graptemys barbouri</i>	II
Matamata turtle	R	43	<i>Chelus fimbriatus</i>	II
Mexican prairie dog	M	78	<i>Cynomys mexicanus</i>	II
Narrow-bridged musk turtle	R	43	<i>Claudius angustatus</i>	II
Neotropical wood turtles	R	43	<i>Rhinoclemmys</i> spp.	II
Puerto Rican boa	R	44	<i>Chilabothrus inornatus</i>	II
Pygmy bluetongue lizard	R	41	<i>Tiliqua adelaidensis</i>	I
Red-crowned roofed turtle	R	43	<i>Batagur kachuga</i>	I
Requiem sharks	F	51/52/52A/59	<i>Carcharhinidae</i> spp.	II1

¹ Entry into effect delayed by 12 months, i.e. until 25 November 2023

Common Name	Type	Container Requirement	Scientific Name	CITES Appendix
Short-tailed albatross	B	21	Diomedea albatrus	II
Soft-shelled turtles	R	43	Apalone spp.	II
Straw-headed bulbul	B	12	Pycnonotus zeylanicus	II ²
Turtle	R	43	Kinosternon spp.	II
Turtle	R	43	Sternotherus spp.	II
White rhinoceros	M	71	Ceratotherium simum <i>simum</i>	II/I
White-rumped shama	B	12	Copsychus malabaricus	II
Zebra pleco	F	51	Hypancistrus zebra	II

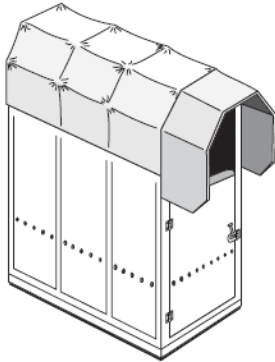
² Entry into effect delayed by 12 months, i.e. until 25 November 2023

Chapter 8 – Container Requirements

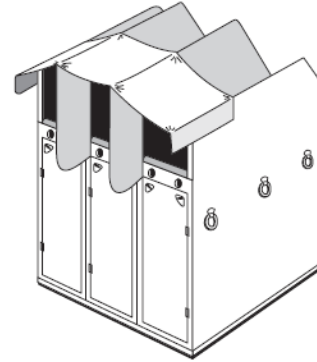
- Corrections made to CR2
 - Omitted illustrations have been restored and remain applicable to this Container Requirement

EXAMPLE:

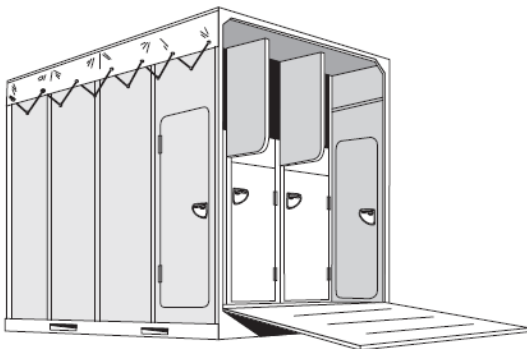
SINGLE STALL WITH CANOPY



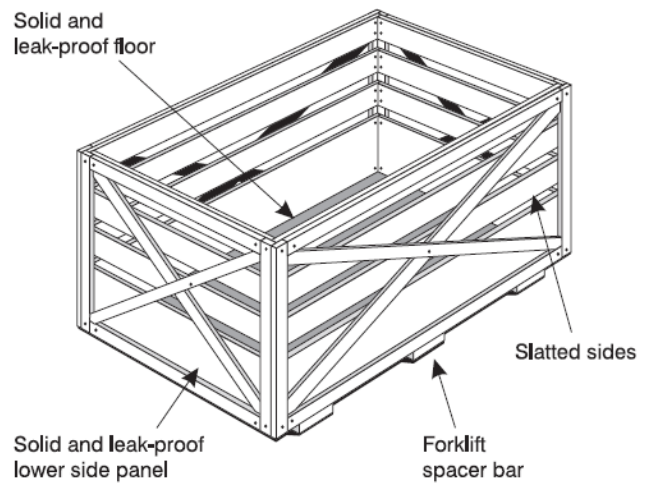
TRIPLE STALL WITH CANOPY



TRIPLE STALL WITH ATTENDANT ACCESS



BULK CRATE (see exceptions in Chapter 3)



- Title edited for GENERAL CONTAINER REQUIREMENTS FOR NON-HUMAN PRIMATES (MONKEYS)

GENERAL CONTAINER REQUIREMENTS FOR NON-HUMAN PRIMATES (MONKEYS) ([CR 32-34](#))

ADDITIONAL INFORMATION (NOT ADDENDA)

- Please note that the correct In-Cabin Live Animal Acceptance Checklist to use is the one listed in Chapter 7.6.2. This version has now also been updated to the Toolkit in the digital format.
- The new CDC form required for importation of dogs is available at: <http://www.cdc.gov/rabiesrecord>.
- US APHIS have published **new welfare standards for birds**, effective as of August 2023: <https://www.aphis.usda.gov/aphis/ourfocus/animalwelfare/new-bird-rule/awa-standards-for-birds>

* * * * *